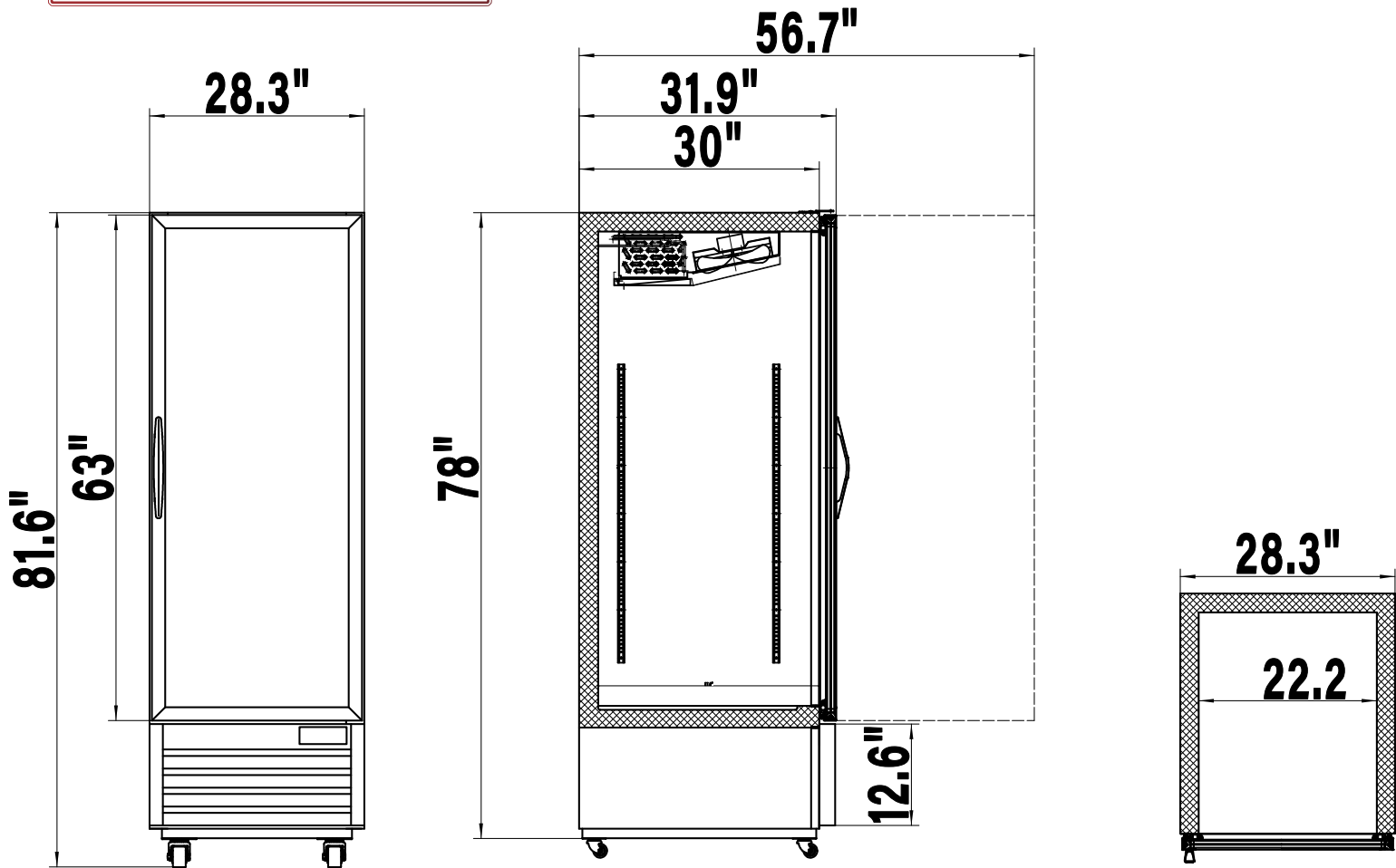


R1G-27B

Technical Drawing



Models	Product Size (")	Capacity	Amps	Power	BTU	Charge Oz	N.W	Shipping Size (")	G.W	Doors
F1G-27B	26.77 x 31.89 x 81.5	23 cu ft	8.0	1/2	2000	3.88	137 kg	28.35 x 34.84 x 84.65	155 kg	1
F1G-27-WS	26.77 x 31.89 x 81.5	23 cu ft	8.0	1/2	2000	3.88	137 kg	28.35 x 34.84 x 84.65	155 kg	1
F2G-54B	53.94 x 31.89 x 81.5	48 cu ft	9.0	1	3650	5.29	243 kg	55.51 x 34.84 x 84.65	263 kg	2
F2G-54-WS	53.94 x 31.89 x 81.5	48 cu ft	9.0	1	3650	5.29	243 kg	55.51 x 34.84 x 84.65	263 kg	2
F3G-81B	80.98 x 31.89 x 81.5	72 cu ft	9.0	1-1/4	4500	5.29	315 kg	82.56 x 34.84 x 84.65	351 kg	3
F3G-81-WS	80.98 x 31.89 x 81.5	72 cu ft	9.0	1-1/4	4500	5.29	315 kg	82.56 x 34.84 x 84.65	351 kg	3
R1G-27B	26.77 x 31.89 x 81.5	23 cu ft	3.0	1/5	1670	3.0	132 kg	28.35 x 34.84 x 84.65	150 kg	1
R1G-27-WS	26.77 x 31.89 x 81.5	23 cu ft	3.0	1/5	1670	3.0	132 kg	28.35 x 34.84 x 84.65	150 kg	1
R2G-40-WSSL	39.53 x 30.71 x 81.5	36 cu ft	4.5	1/4	2380	3.7	188 kg	41.14 x 31.89 x 82.28	206 kg	Sliding
R2G-54B	53.94 x 31.89 x 81.5	48 cu ft	4.5	1/4	2380	3.7	222 kg	55.51 x 34.84 x 84.65	251 kg	2
R2G-54-WS	53.94 x 30.71 x 81.5	48 cu ft	4.5	1/4	2380	3.7	223 kg	55.51 x 31.89 x 84.65	244 kg	2
R2G-54-WSSL	53.94 x 31.89 x 81.5	48 cu ft	4.5	1/4	2380	3.7	222 kg	55.51 x 34.84 x 84.65	251 kg	Sliding
R3G-81B	80.98 x 31.89 x 81.5	72 cu ft	7.5	1/2	3200	5.29	318 kg	82.56 x 34.84 x 84.65	354 kg	3
R3G-81-WS	80.98 x 31.89 x 81.5	72 cu ft	7.5	1/2	3200	5.29	318 kg	82.56 x 34.84 x 84.65	354 kg	3
R3G-81-WSSL	80.98 x 31.89 x 81.5	72 cu ft	7.5	1/2	3200	5.29	318 kg	82.56 x 34.84 x 84.65	354 kg	Sliding



- Has a GWP of just 3, compared to R134a's 1430 and R404A's 3922
- Offers better energy efficiency, reducing operating costs
- R290's high latent heat and low discharge temps improve efficiency

